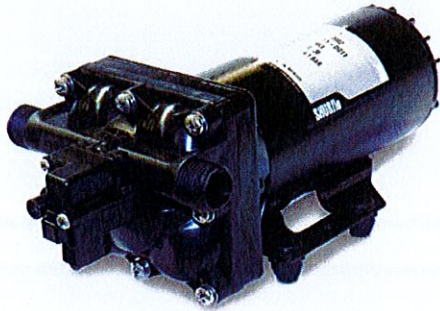


NEW



5000-Series

Industrial Pumps

Spare Parts and Kits

5000-Series Industrial Pumps

The new 5000 series is uncompromising in every aspect of its design, construction, and performance, furthering SHURFLO's commitment to provide innovative, durable, high value products for our customers' applications.

The table below shows the first models released from this new 5000-series family. New models will be released in the coming months with different materials, voltage and flow configuration. These products complement our existing 2088-series and 8000-series product family with higher-flow high performance, high durability and high reliability products.

Product Description and Typical Applications	Material (Body / Valves / Diaphragm)	Part Number	Port threads	Voltage	Gallons per minute	Liters per minute	Pressure switch setting PSI	Pressure switch setting Bar
Premium flow water pump, adjustable bypass, heavy duty, thermally protected, CE-compliant sealed motor, co-molded diaphragm. Typical applications: fresh water installations, pressurized water systems and general water transfer.	Polypropylene / EPDM / Santoprene	5040-2301-D011	1/2-14" MPT (male)	12VDC	4	15.1	65 (BP) 55 (SW)	4.5 (BP) 3.8 (SW)
		5040-2301-H011	1/2-14" MPT (male)	24VDC	4	15.1	65 (BP) 55 (SW)	4.5 (BP) 3.8 (SW)
		5050-2301-C011	1/2-14" MPT (male)	12VDC	5	18.9	65 (BP) 55 (SW)	4.5 (BP) 3.8 (SW)
		5050-2301-G011	1/2-14" MPT (male)	24VDC	5	18.9	65 (BP) 55 (SW)	4.5 (BP) 3.8 (SW)
Premium flow water pump, heavy duty, thermally protected, CE-compliant sealed motor, co-molded diaphragm. Typical applications: agricultural spraying, chemical transfer and injection applications.	Polypropylene / Viton / Santoprene	5050-1310-D011	1/2" NPT-F (female)	12VDC	5	18.9	60	4.1
		5050-1310-H011	1/2" NPT-F (female)	24VDC	5	18.9	60	4.1
		5050-1311-D011	1/2-14" MPT (male)	12VDC	5	18.9	60	4.1
		5050-1311-H011	1/2-14" MPT (male)	24VDC	5	18.9	60	4.1

328 35
328 56

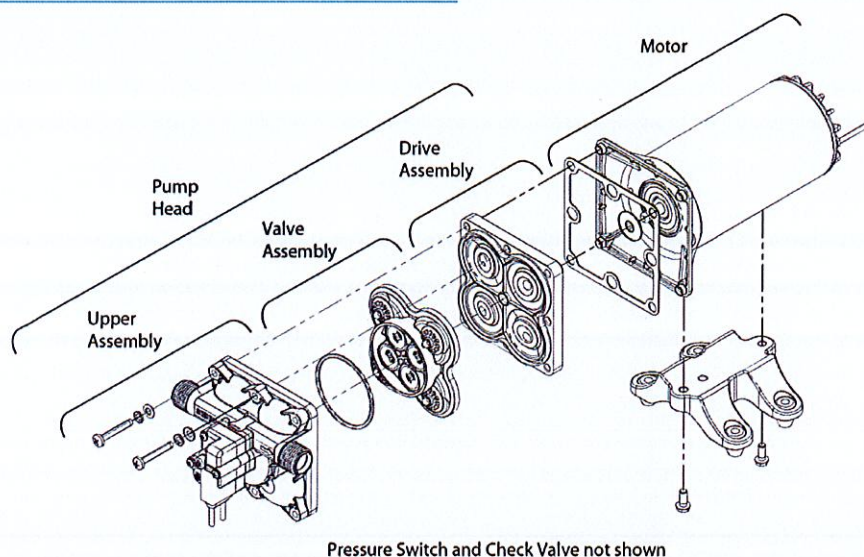
Product Documentation

Please refer to general product datasheets and installation and operation manuals

Product Availability

These new products are now available for purchase.

Spare Parts and Kits



Part Number	Spare Parts and Kits						
	Pressure Switch	Check Valve	Upper Assembly	Valve Assembly	Drive Assembly	Pump Head	Motor
5040-2301-D011	NA	94-800-03	94-801-10	94-800-01	94-801-02	94-801-11	94-71-001-07
5040-2301-H011	NA	94-800-03	94-801-10	94-800-01	94-801-02	94-801-11	94-71-001-03
5050-2301-C011	NA	94-800-03	94-801-10	94-800-01	94-801-02	94-801-11	94-71-004-17
5050-2301-G011	NA	94-800-03	94-801-10	94-800-01	94-801-02	94-801-11	94-71-001-04
5050-1310-D011	94-910-02	94-910-03	94-910-11	94-910-05	94-910-04	94-910-10	94-71-000-17
5050-1310-H011	94-910-02	94-910-03	94-910-11	94-910-05	94-910-04	94-910-10	94-71-001-02
5050-1311-D011	94-910-02	94-910-03	94-910-01	94-910-05	94-910-04	94-910-00	94-71-000-17
5050-1311-H011	94-910-02	94-910-03	94-910-01	94-910-05	94-910-04	94-910-00	94-71-001-02

Contact Information

Pentair Water Belgium bvba
 Industriepark Wolfstee
 Toekomstlaan 30
 B-2200 Herentals
 Belgium

Phone: +32-14-283-500
 Fax: +32-14-283-505
 Website: www.pentair.com
 Email: shurflo@pentair.com

Pentair reserves the right to change products and prices without prior notice. Pentair standard terms, conditions and warranty apply without exception. The Pentair Warranty is limited to the repair or replacement of a defective product or to the issue of a credit note for the amount invoiced to the Purchaser, if warranty claim is judged necessary by Pentair, without any further obligation whatsoever. Pentair shall not be liable for any special, indirect or consequential damages. The Purchaser must test the Product to confirm that it performs as required in their application. The Pentair Warranty is not an express or implied warranty of merchantability or of fitness for a particular purpose.