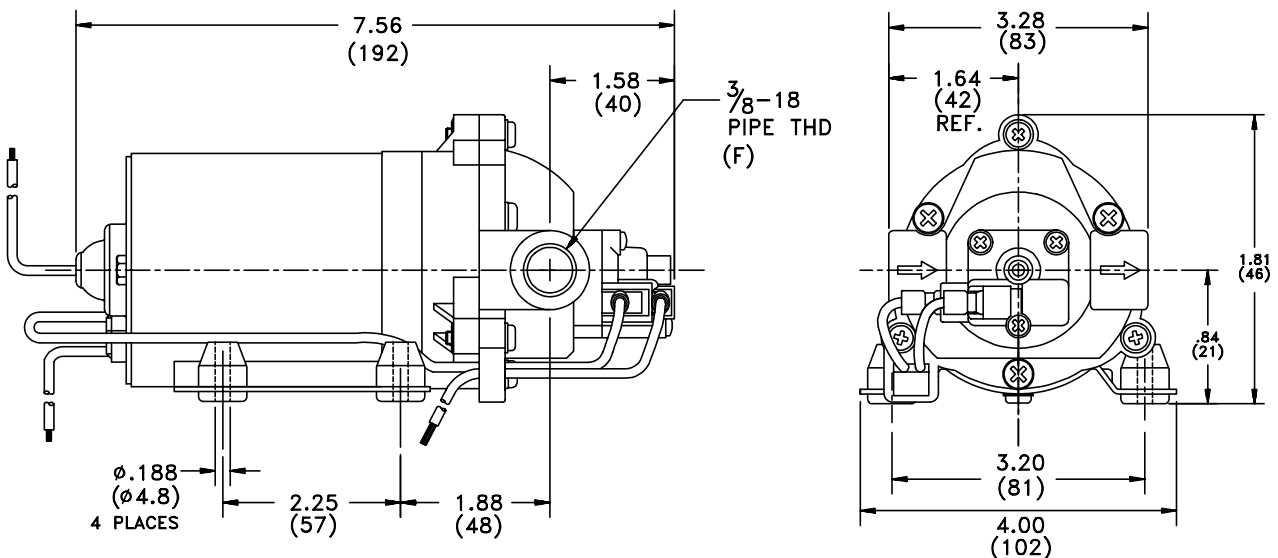


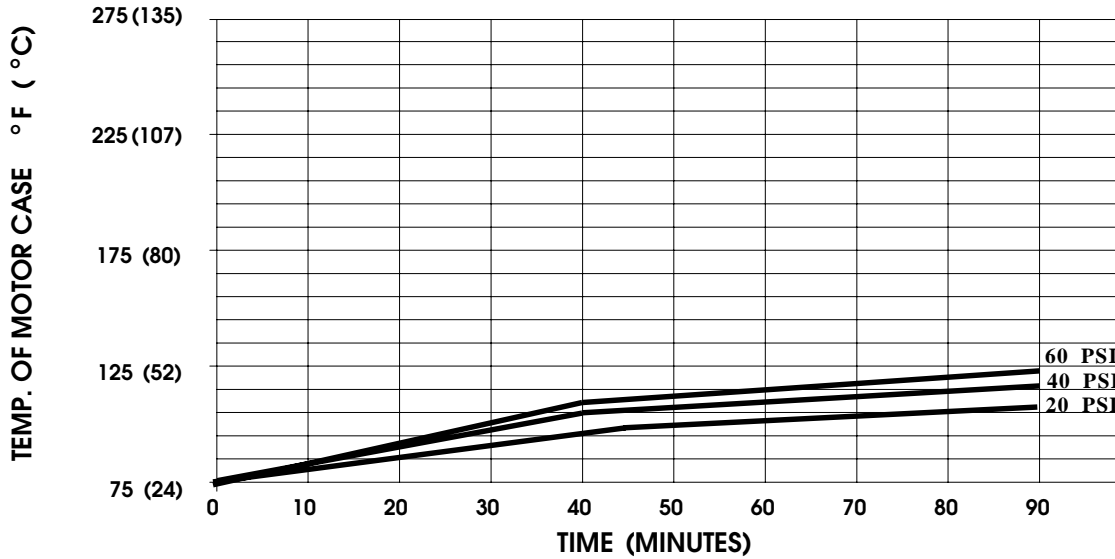
**SPECIFICATIONS:**

**MODEL NUMBER:** 8000-151-296  
**PUMP DESIGN:** Positive Displacement 3 Chamber Diaphragm Pump  
**CAM:** 2.0 Degree  
**MOTOR:** Permanent Magnet, P/N 11-127-10  
**VOLTAGE:** 24 VDC Nominal  
**PRESSURE SWITCH:** Adjustable Shut-Off (Range 40-60 PSI)  
 Factory Set @ 60 PSI, Turn On 45 PSI  $\pm$  5 PSI  
**LIQUID TEMPERATURE:** 170 Degrees Fahrenheit (77 Degrees Centigrade) Max.  
**PRIME:** Self-Priming Up To 8 Ft. Vertical,  
 Max. Inlet Pressure 30 PSI (2.1 Bar)  
**PORTS:** 3/8"-18 NPT Female  
**MATERIAL OF CONSTRUCTION:**  
**PLASTICS-** Polypropylene  
**VALVES-** Buna-n  
**DIAPHRAGM-** Geolast (Main), Buna-n (Switch)  
**FASTENERS-** Zinc Plated Steel  
**NET WEIGHT:** 3.85 Lbs (1.75 Kg)  
**DUTY CYCLE:** Intermittent (See Temperature Rise Chart)  
**TYPICAL APPLICATIONS:** Soil Extraction  
**BYPASS:** 80 PSI Max.

**DIMENSIONS:**

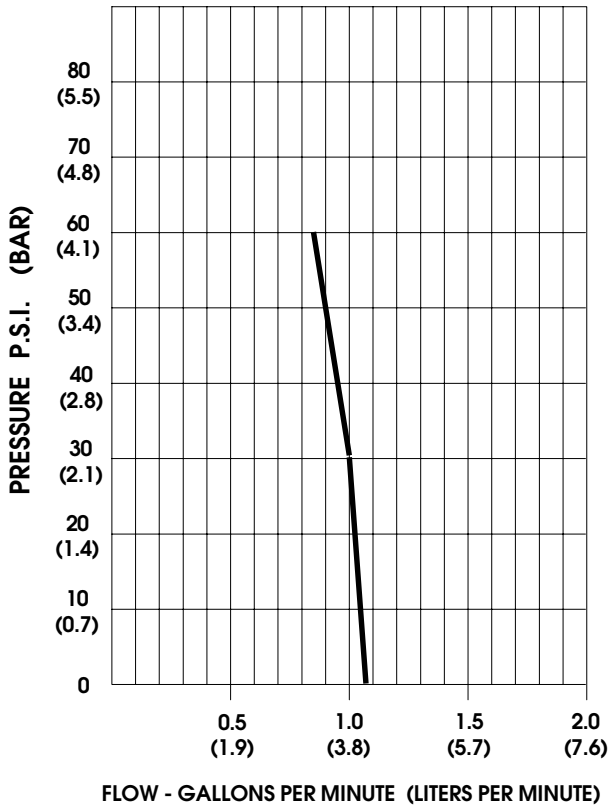


**TEMPERATURE RISE**



THIS GRAPH IS FOR USE AS A DESIGN GUIDE. IT IS BASED ON RUNNING CONTINUOUSLY WITH AN AMBIENT TEMPERATURE OF 75° F IN STILL AIR.

**TYPICAL PERFORMANCE**



| PRESSURE (PSI) | FLOW (GPM/LIT) | RPM MIN/MAX | CURRENT (AMPS) | VOLTAGE (VOLTS) |
|----------------|----------------|-------------|----------------|-----------------|
| OPEN           | 1.08/4.1       | 2310/2380   | 1.1            | 24 VDC          |
| 10             | 1.06/4.0       | 2290/2365   | 1.3            | "               |
| 20             | 1.04/3.9       | 2260/2345   | 1.5            | "               |
| 30             | 1.00/3.8       | 2235/2310   | 1.8            | "               |
| 40             | 0.97/3.7       | 2210/2295   | 2.0            | "               |
| 50             | 0.92/3.5       | 2190/2270   | 2.2            | "               |
| 60             | 0.84/3.2       | 2170/2250   | 2.4            | "               |

*-SPECIFICATIONS SUBJECT TO CHANGE WITHOUT NOTICE.*

*-ALL DATA BASED ON TESTING WITH WATER AT AMBIENT TEMPERATURE.*